

Bellino

Installation and Use Instructions



Please read these instructions carefully before commencing installation.

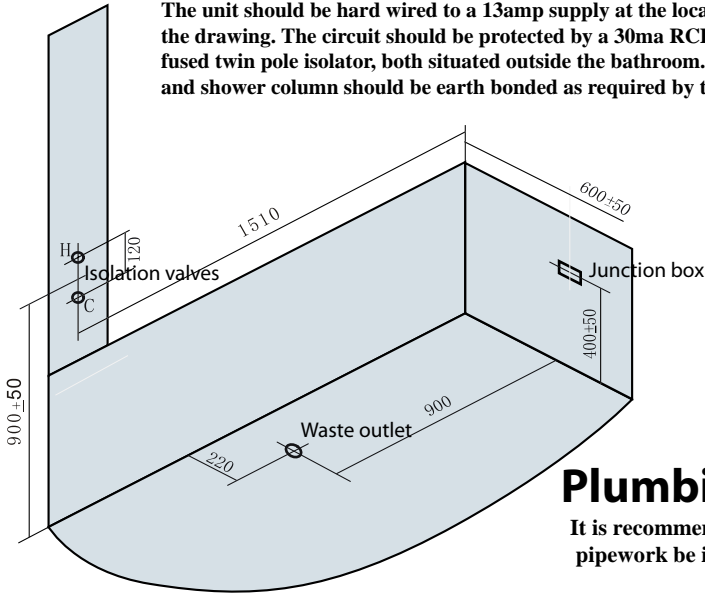
**Style Manufacturing Group
Bramley House, Bath Lane
Bramley, Leeds LS13 3BB
Tel 0113 2577 588**

Electrical Installation

Voltage	Frequency	Power Rating
220/240v	50Hz	750w

We recommend that all electrical work is carried out by a qualified Electrician and in accordance with current regulations.

The unit should be hard wired to a 13amp supply at the location shown on the drawing. The circuit should be protected by a 30ma RCD and a suitably fused twin pole isolator, both situated outside the bathroom. The bath frame and shower column should be earth bonded as required by the regulations.



Plumbing Installation

It is recommended that all plumbing and pipework be installed by a qualified plumber.

Water Supply

The hot and cold water supplies, each with full flow isolation valves and strainers, should be terminated in the area shown.

They should be pressure balanced supplies with a minimum of 2.0 bar recommended. Should the pressure exceed 3.0 bar, pressure reducing valves must be fitted.

Gravity / Tank Fed (22mm diameter hot and cold supply)

Combination Boiler (15mm diameter hot and cold supply)

Megaflow (15mm diameter hot and cold supply)

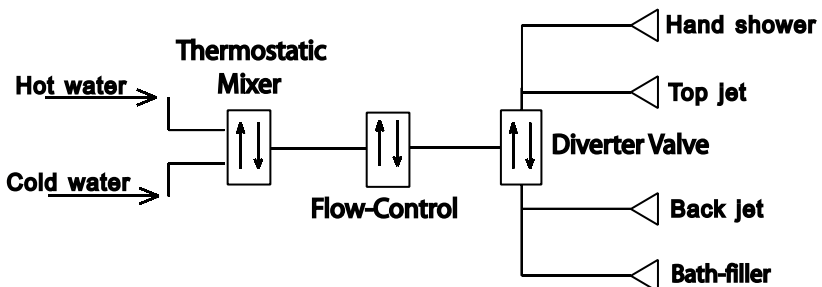
Gravity / tank fed systems require a booster pump to provide the required supply pressure.

This should be a twin impeller pump installed on a dedicated 22mm diameter supply and fitted in accordance with the pump manufacturers instructions.

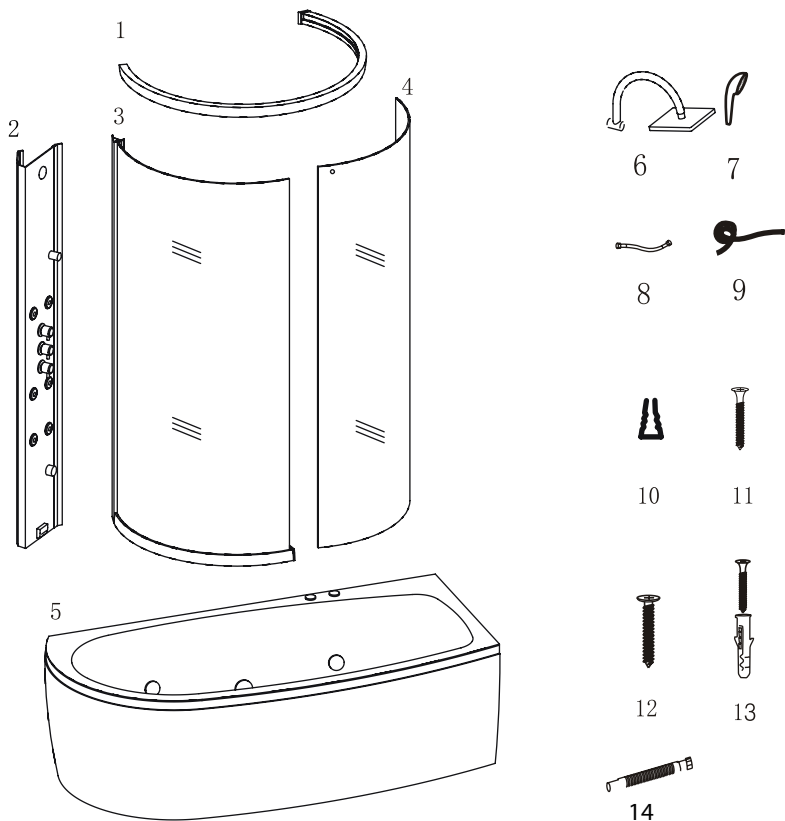
All gravity/tank fed units should have sufficient storage capacity to give adequate supply to the unit and all other services such as a washing machine, dishwasher etc.

The minimum flow rate required for a mixed supply is 8 litres per minute.

PLEASE NOTE: Both hot and cold water supplies should be flushed through prior to connecting as debris, particularly on new installations, can affect the performance of the thermostatic cartridge.

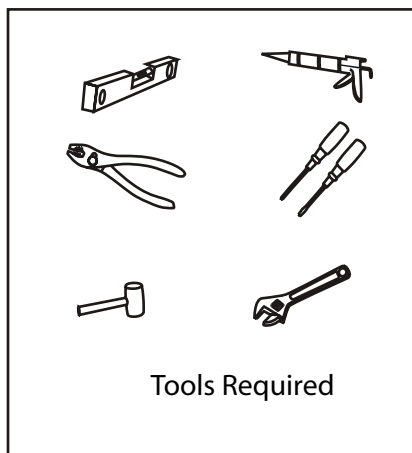


While every effort has been made to give accurate information, we are continually improving the product in order to make the installation as simple as possible and details may therefore, vary.



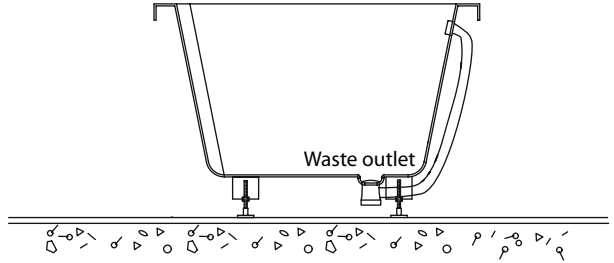
Componants:

- 1. Top rail
- 2. Shower column
- 3. Fixed glass panel
- 4. Sliding glass door
- 5. Bathtub
- 6. Fixed-head shower
- 7. Hand shower
- 8. Shower hose
- 9. Nylon rope
- 10. Silicon gasket
- 11. M4x12mm round-head screws
- 12. M4x18mm round-head screws
- 13. M6x35mm counter-sunk screws
- 14. Waste outlet pipe(discard for UK installations)



Installation

Place bath in its final location and check for level. Remove bath front panel and make any necessary adjustments. Mark the underside of the bath rim along the wall side and fix bath wall brackets as required. Fit a bath trap to waste outlet. Hard wire the electrical connection to the junction box.



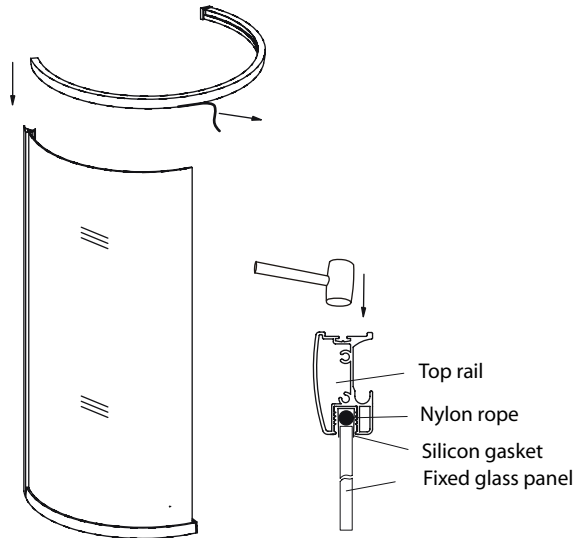
Place the fixed glass panel on the floor.

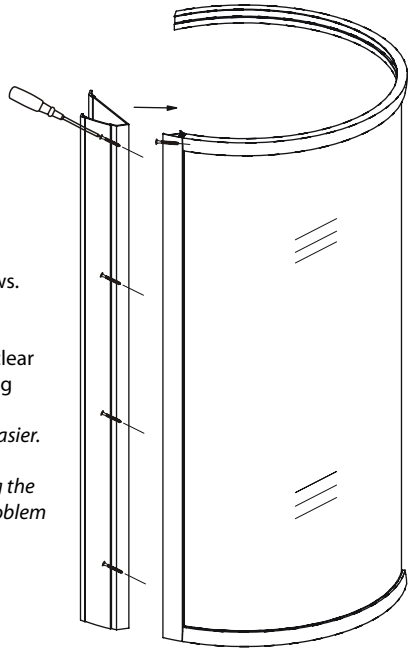
Put the nylon rope into the silicon gasket in the top rail as shown. This will keep the gasket open to allow the glass to fit in it. *(Don't try to fit the gasket to the glass first and then insert into the top rail as this approach doesn't work)*

With the glass located into the gasket and with the end of the top rail butted-up to the side aluminium profile, pull out the rope while pushing down on the top rail.

Push down hard or use a rubber mallet until the glass is fully home.

(TIP This operation is best carried out by two people. A small amount of washing-up liquid smeared on to the top of the glass will help the glass to push home - but only use a 'smear' or the glass will keep slipping out).





Fix side profile to top rail with 2xM4 18mm screws.

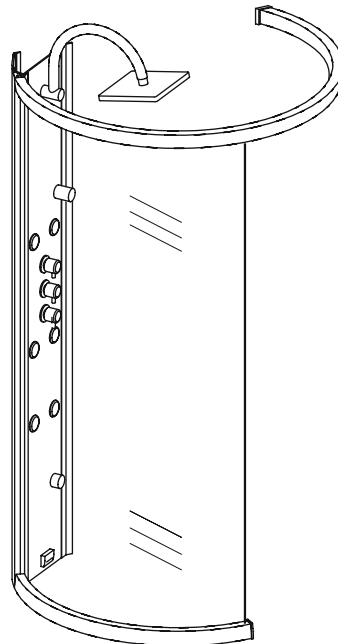
Fit the shower column to the side profile with 4xM4 12mm screws as shown. Apply a bead of clear silicon between the mating faces before screwing together.

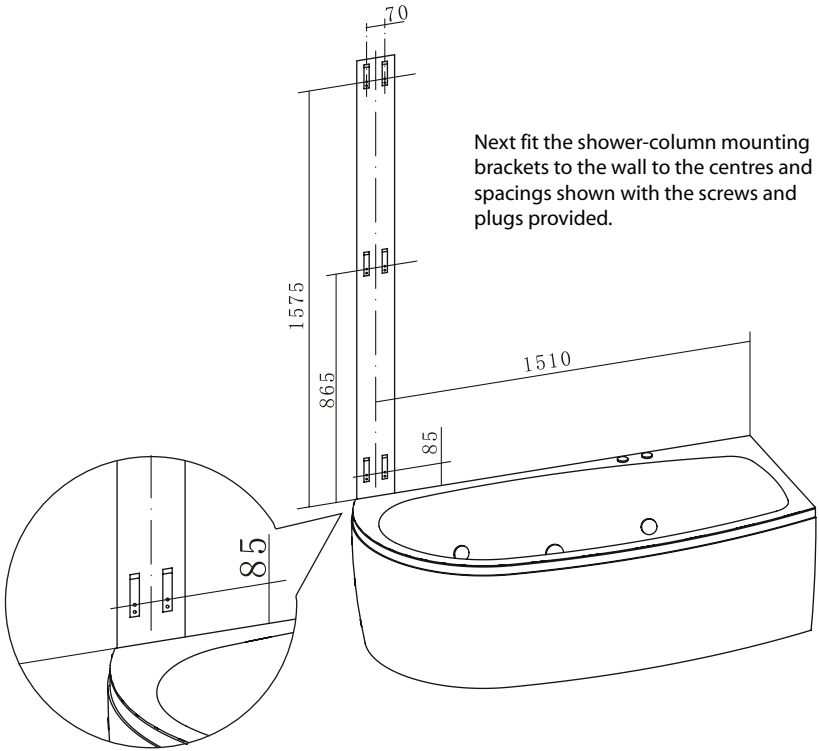
(Tip - a long magnetic screwdriver makes the job easier. Also make sure that the components are held well together and that the holes line up before inserting the screws. The holes should line up but if there is a problem it is a simple matter to drill new pilot holes).

Install the fixed shower-head and tighten the back-nut. Please ensure that the rubber sealing ring fits between the shower-arm and the front of the shower column. *(Note - If there is a small grub-screw in the back of the shower-arm - then please remove and discard).*

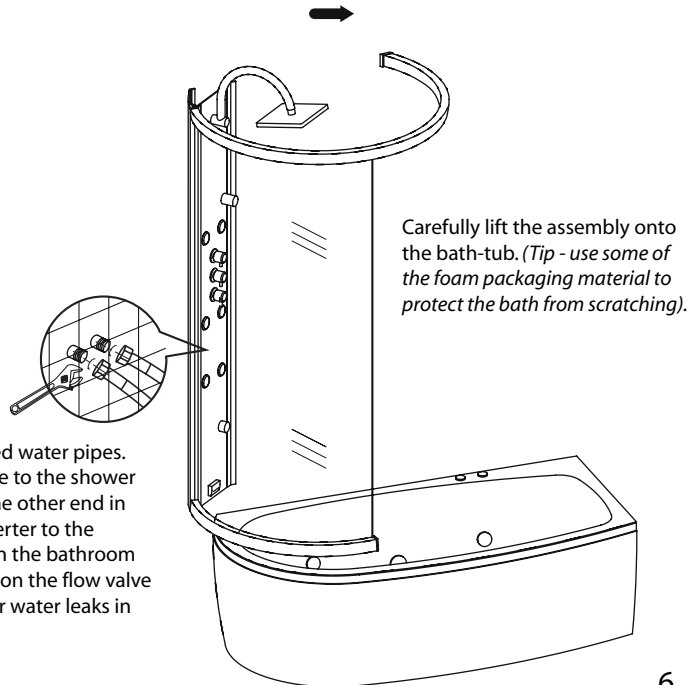
Connect the white flexible water-pipe and connector, that is prepared inside the shower column, to the shower-arm. Please check that there is a rubber sealing washer inside the plastic connector. before fitting to ensure that the joint is water tight.

Similarly, connect any other pipes that have been left unconnected for access and generally check that joints are tight.



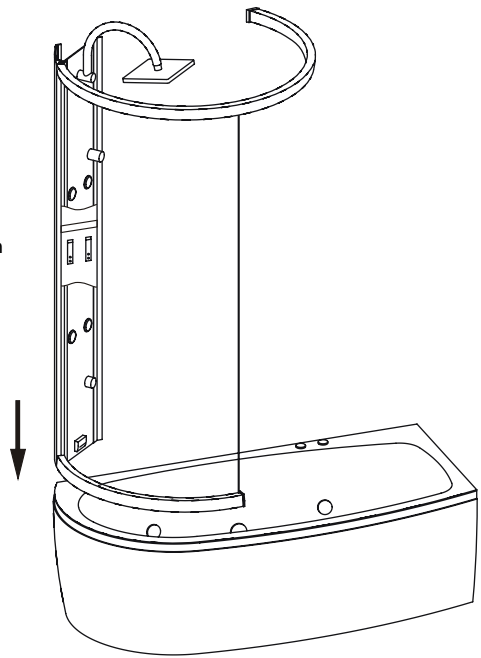


Next fit the shower-column mounting brackets to the wall to the centres and spacings shown with the screws and plugs provided.



Connect the hot and cold braided water pipes. Fit the flexible hand-shower hose to the shower column water outlet and hold the other end in the plug hole. Now turn the diverter to the hand-shower setting and turn on the bathroom hot and cold water supply. Turn on the flow valve to flush the system and check for water leaks in the pipework.

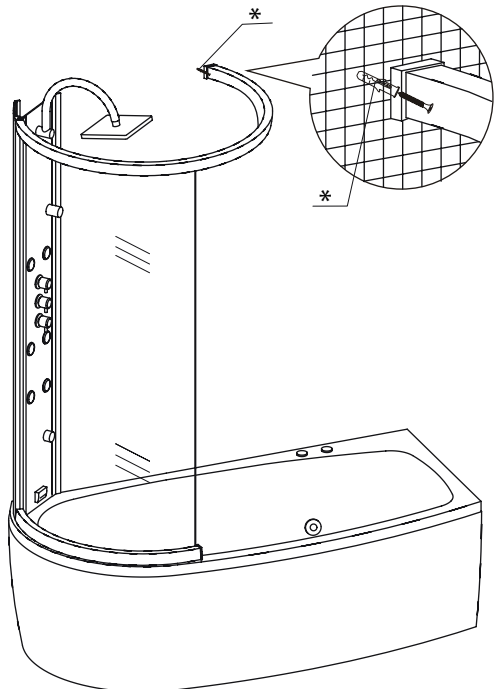
Now lift the assembly onto the wall brackets and down onto the bath - removing protection packaging from the bath.



Adjust the assembly relative to the bath until the top rail is touching the wall.

Level the end of the top rail with the top of the shower column and mark the fixing holes.

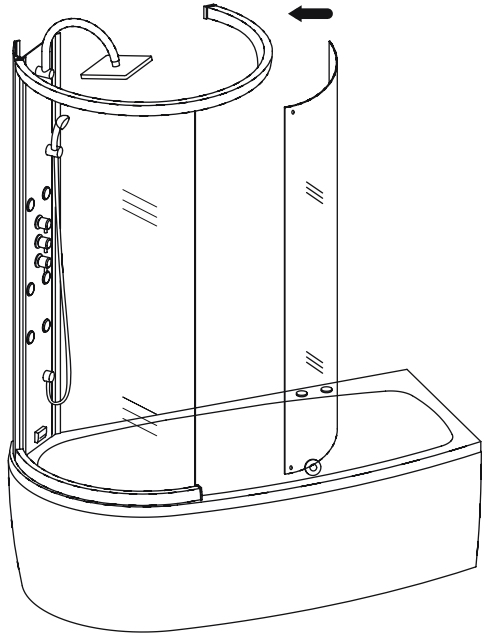
Pull the assembly back slightly to drill for the fixing holes.



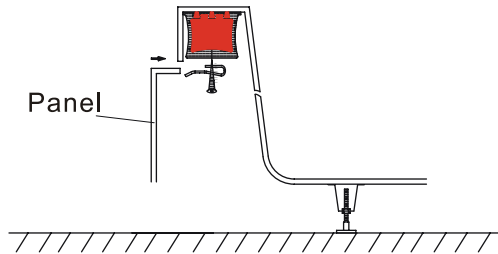
Fit hand-shower to hose.

Fit the runners to the sliding glass door while inserting the wheels into the top rail. There is a cam adjustment and a centre screwdriver slot to hold whilst tightening the back-nut.

Fix the metal door handle.



Refit the bath panel into the metal panel clips as shown.



Using a good quality bath silicon sealant, apply the sealer :-

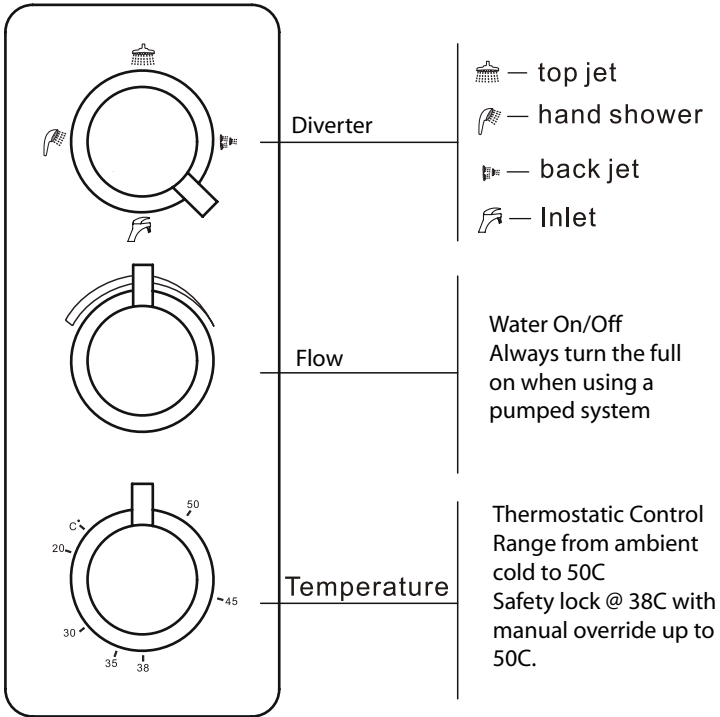
On the outside of the fixed glass panel/ shower column to bathrim.

Bath-tub to wall.

Shower column to wall.

Front of shower column to bath.

Operating Instructions



Whirlpool Function

Do not run the system without filling the tub above the level of the jets.

To operate the whirlpool function press the on/off button

To increase/decrease the airflow turn the airflow dial

The direction of the whirlpool jets can be adjusted manually to target different areas of the body

Cleaning

Take care not to use abrasive cleaning materials on the bath tub or shower column and fittings.

To clean the whirlpool system - simply add Spa Guard to enough warm bath water to cover the baths pipes and workings. Run the bath for a short time and then leave to soak.

Cleaning frequency - weekly to monthly depending on how often the system is used.

When emptying the tub ensure the whirlpool system is turned off.

Spa Guard - £17.99 for 1litre + £2.75 - sufficient for 5 treatments 9
Please contact the company for sales